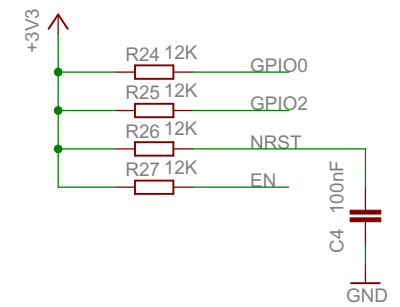
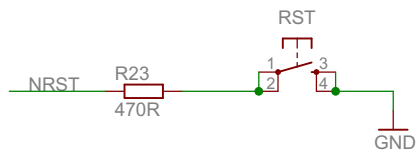
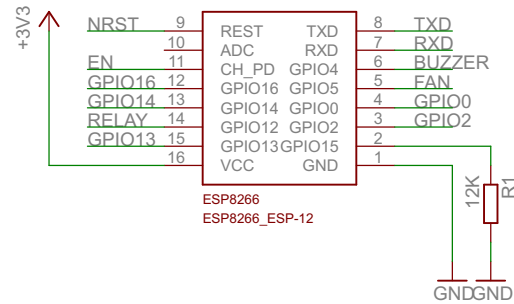
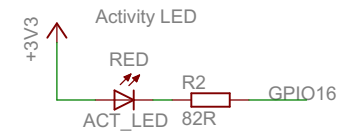
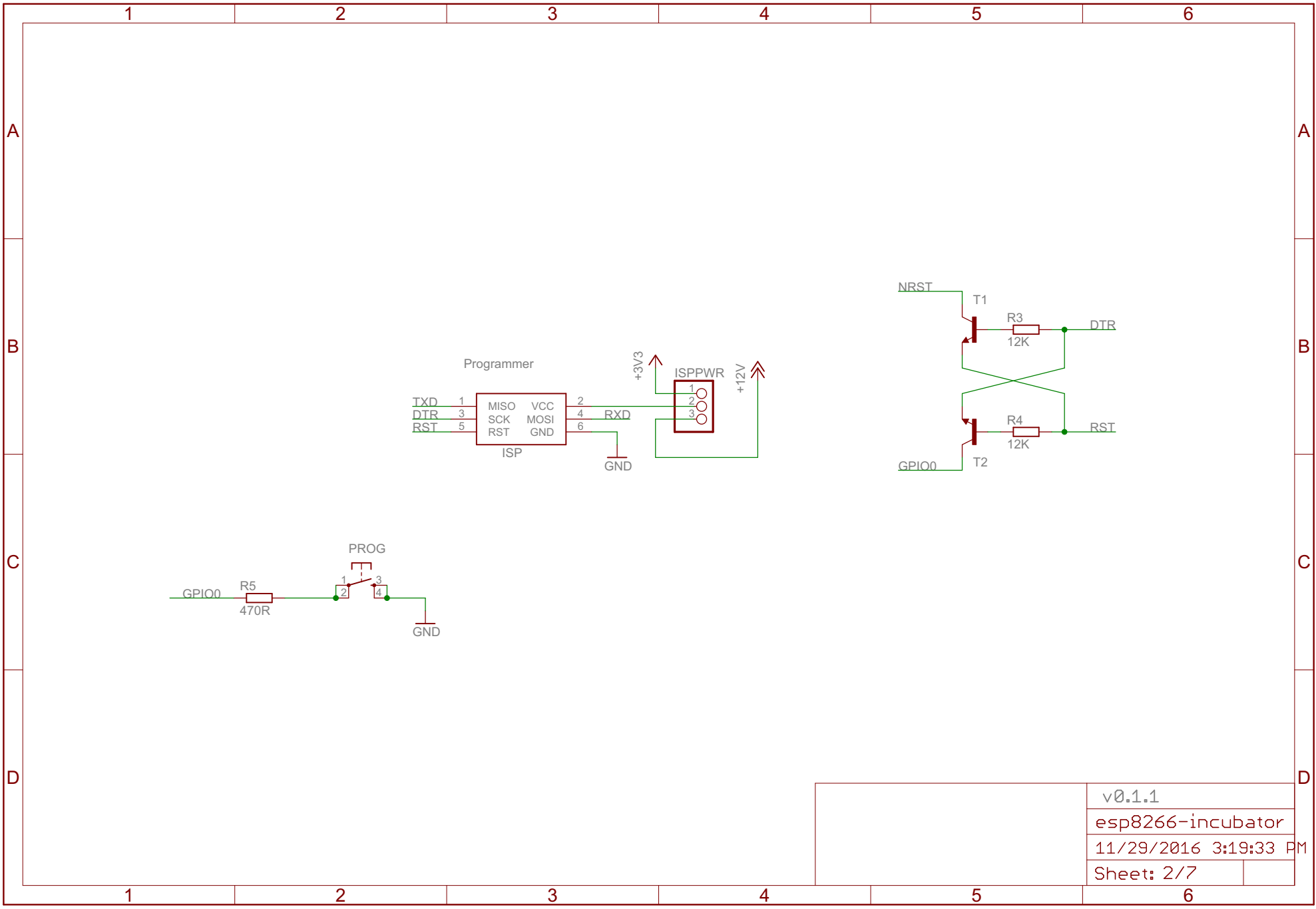




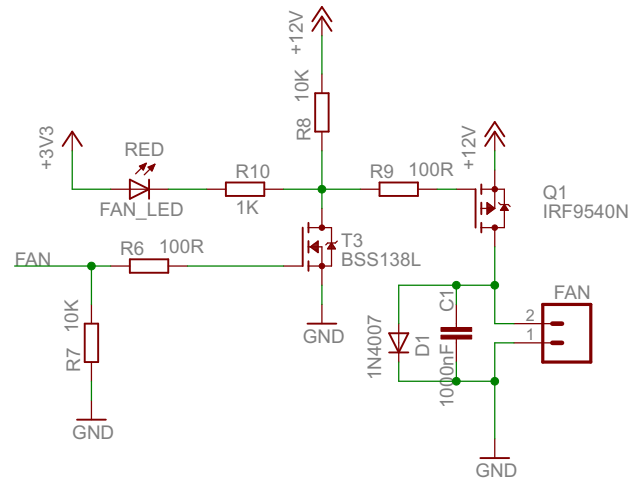
open hardware



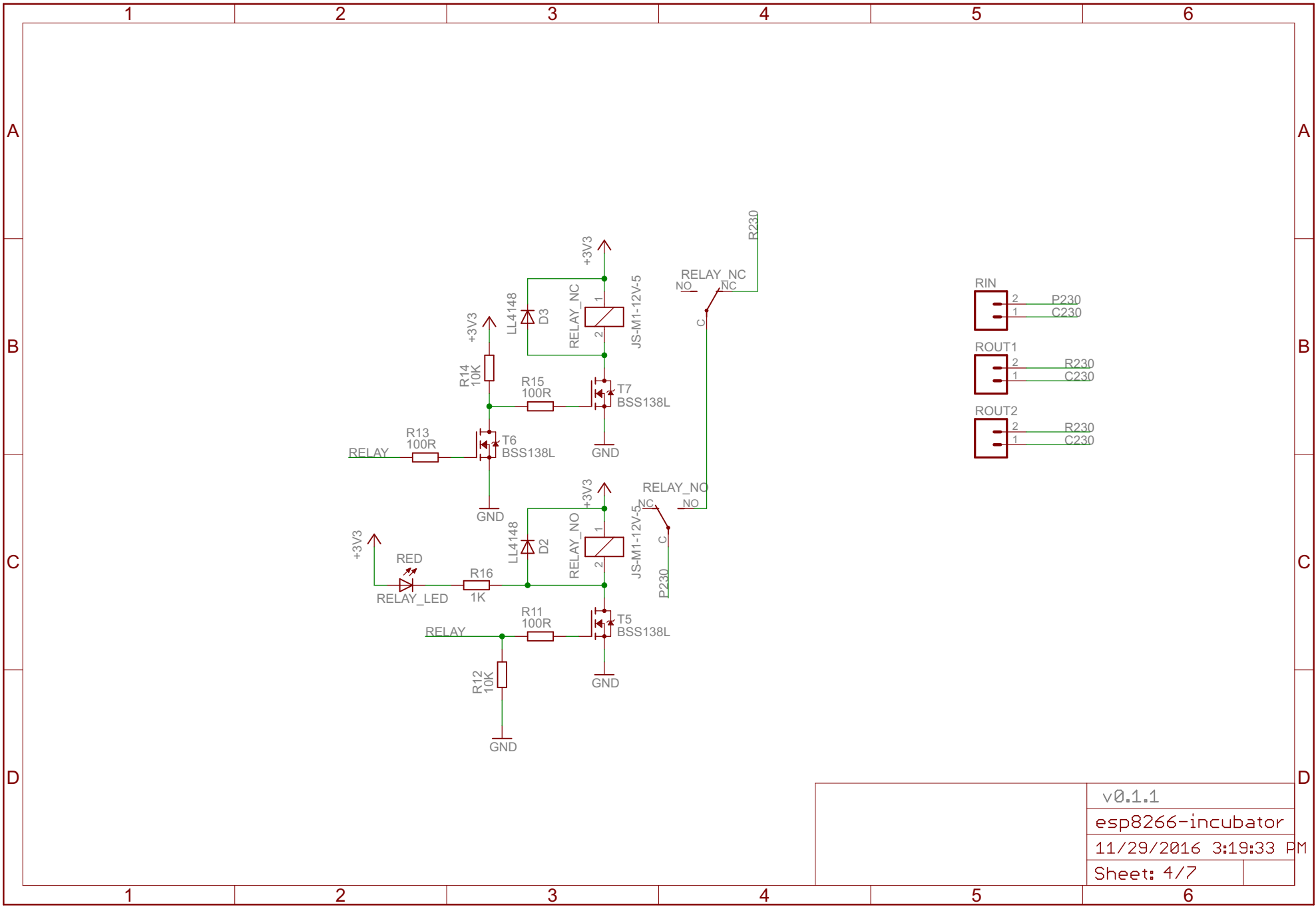
v0.1.1	
esp8266-incubator	
11/29/2016 3:19:33 PM	
Sheet: 1/7	



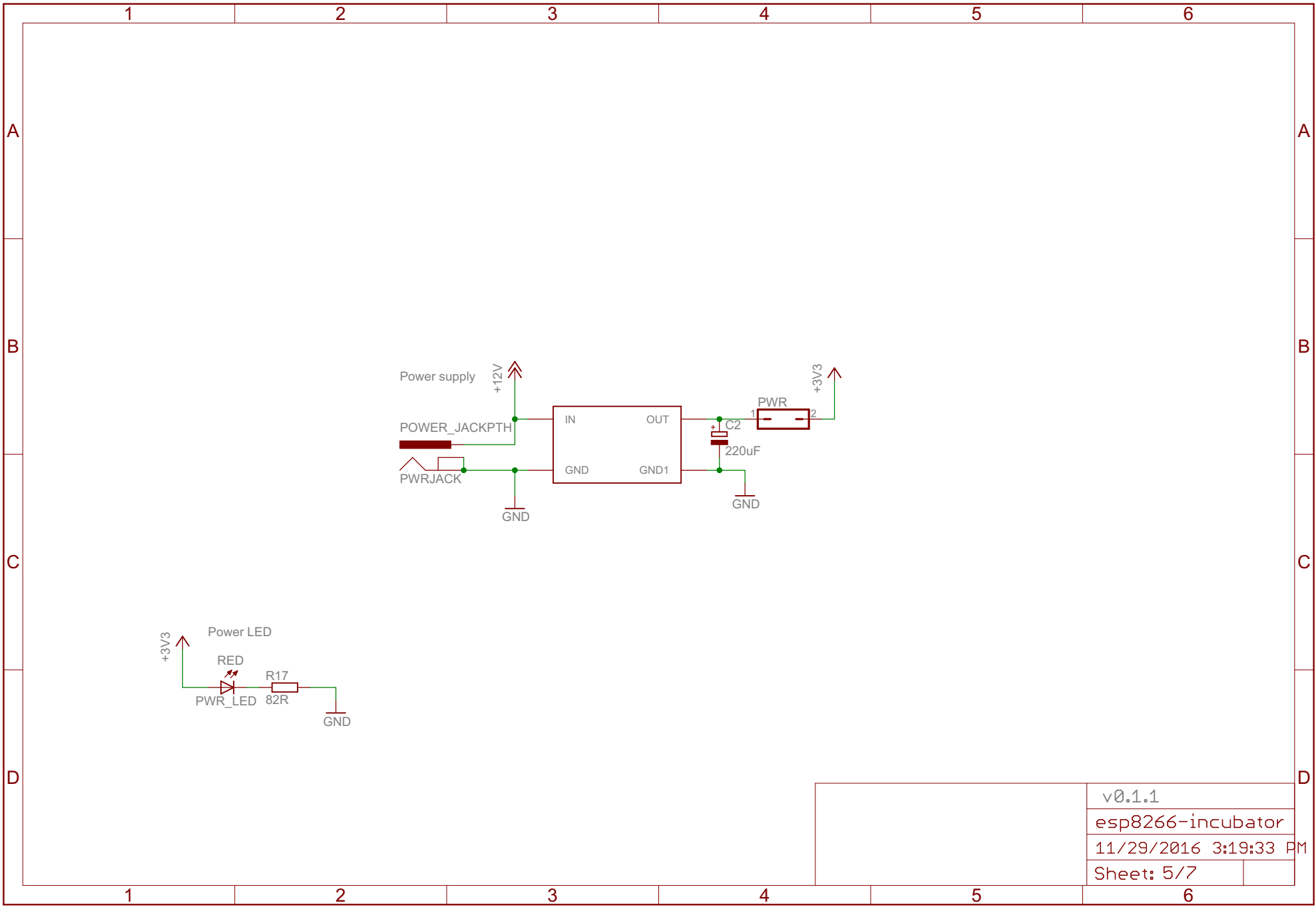
v0.1.1
esp8266-incubator
11/29/2016 3:19:33 PM
Sheet: 2/7



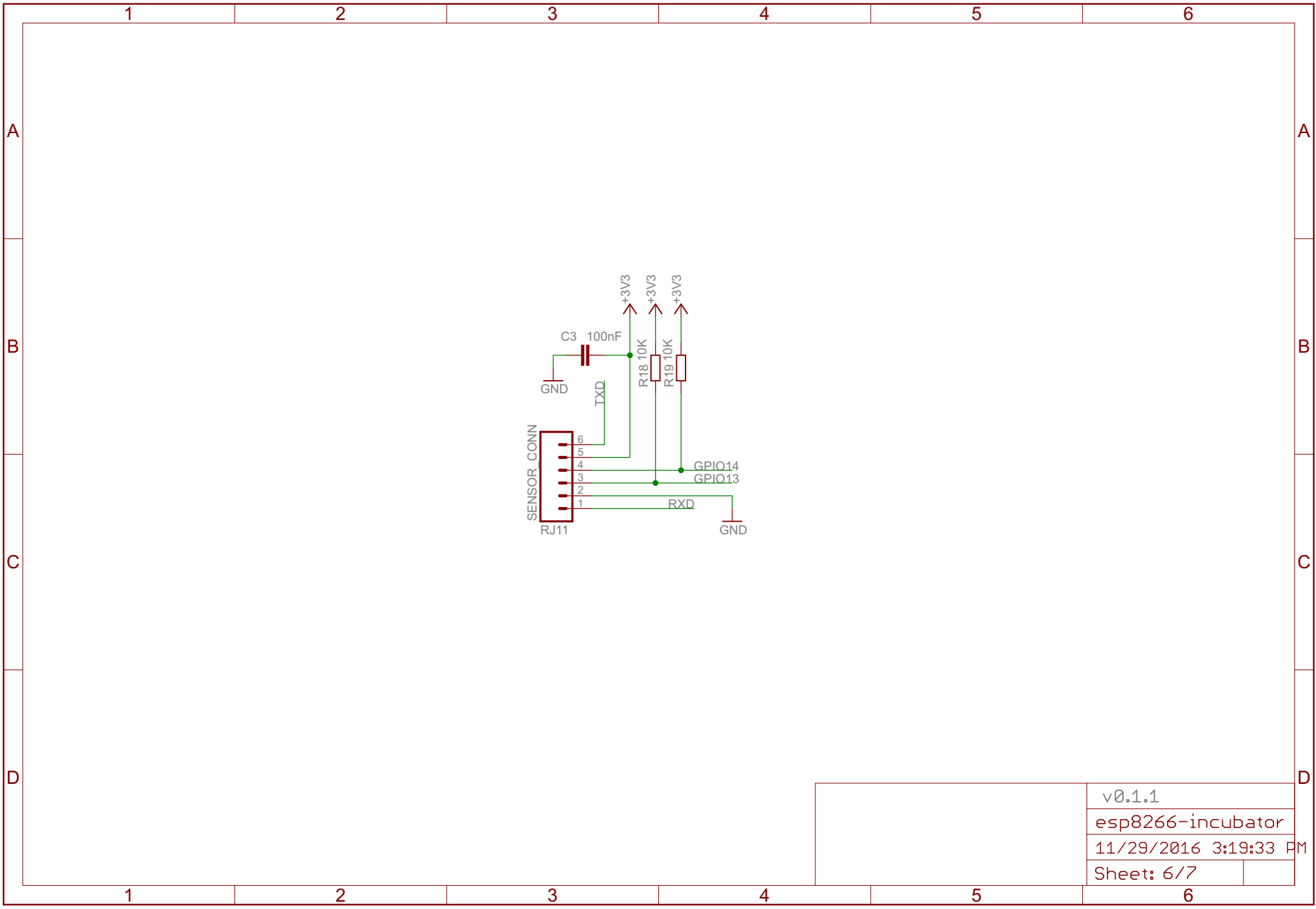
v0.1.1
esp8266-incubator
11/29/2016 3:19:33 PM
Sheet: 3/7



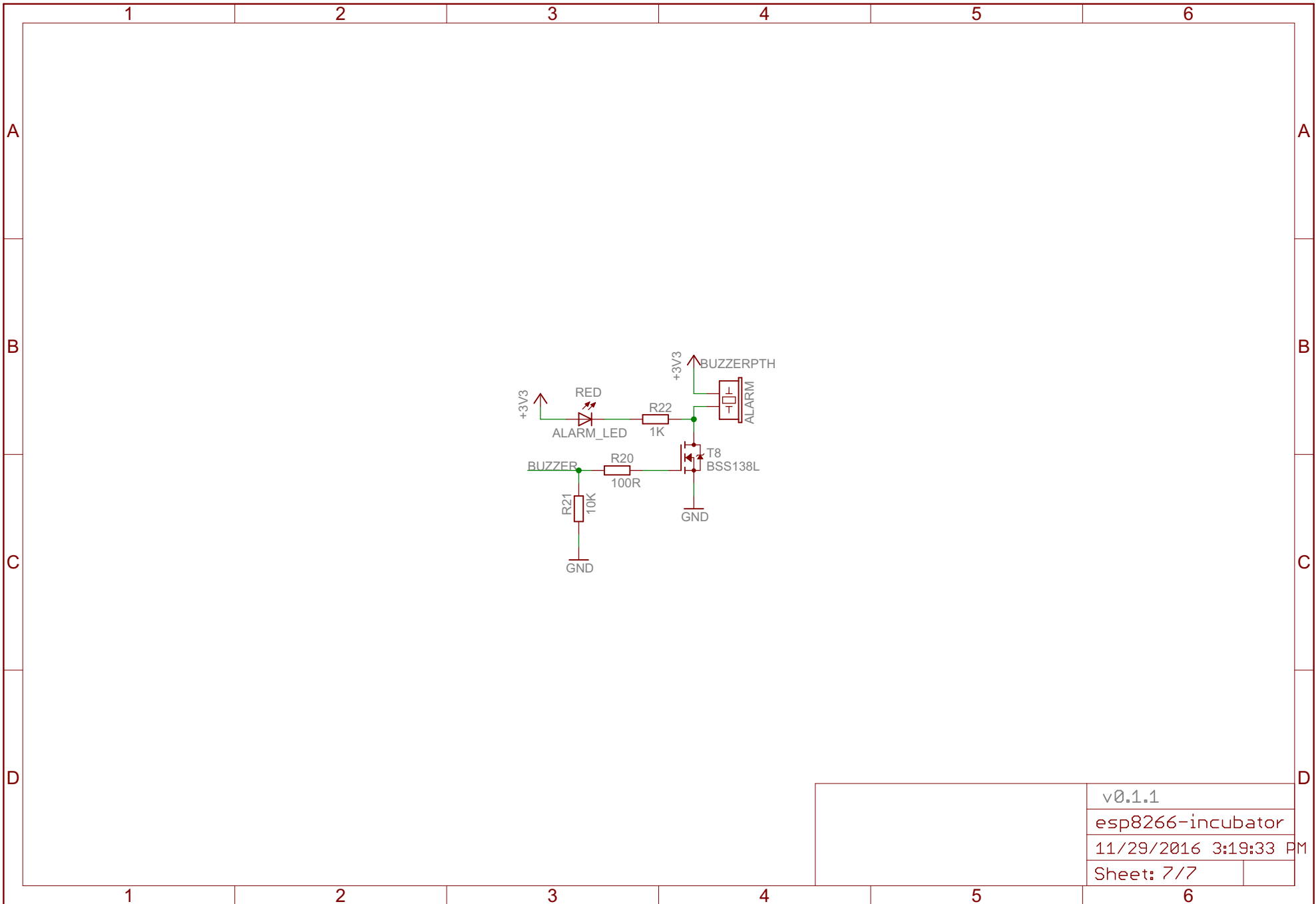
v0.1.1
 esp8266-incubator
 11/29/2016 3:19:33 PM
 Sheet: 4/7



v0.1.1	
esp8266-incubator	
11/29/2016 3:19:33 PM	
Sheet: 5/7	



v0.1.1	
esp8266-incubator	
11/29/2016 3:19:33 PM	
Sheet: 6/7	



v0.1.1	
esp8266-incubator	
11/29/2016 3:19:33 PM	
Sheet: 7/7	